

New Jersey Semi-Conductor Products, Inc.

20 STERN AVE.
 SPRINGFIELD, NEW JERSEY 07081
 U.S.A.

TELEPHONE: (973) 376-292
 (212) 227-600
 FAX: (973) 376-896

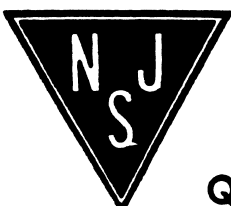
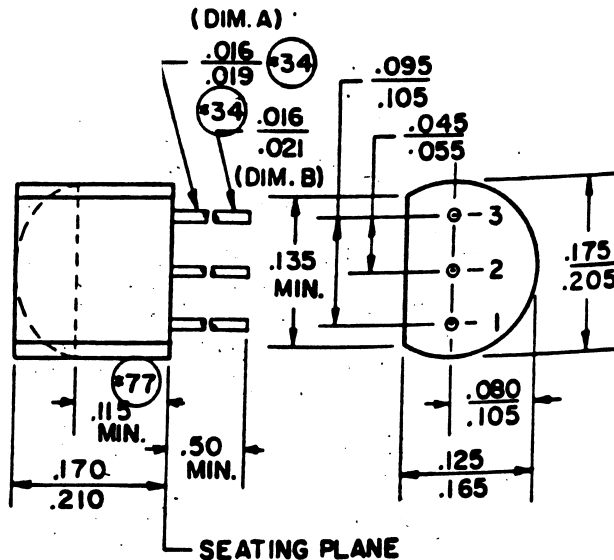
PARAMETERS

2N5812
 SI NPN LO-PWR BJT

Description: Si NPN Lo-Pwr BJT

Manufacturer.....	
Mil/High-Rel? (Y/N).....	
Vbr CEO.....	25
hfe.....	
@Ic (A).....	
@VCE (test) (V).....	
Ic Max. (A).....	750m
Trans. Freq (Hz) Min.....	
C(ob) (F).....	15p
Icbo Max. @Vcb Max. (A).....	100n
Vbr CBO.....	35
Max. PD (W).....	500m
Derate (Amb) (W/xC).....	4.5m
Oper. Temp (x C) Max.....	135u
Pkg Style.....	T0-92
Surface Mounted (Y/N).....	N
Pinout Equivalence Number.....	3-17

μ Junction Temperature $2 I_t(\text{rms})$



Quality Semi-Conductors